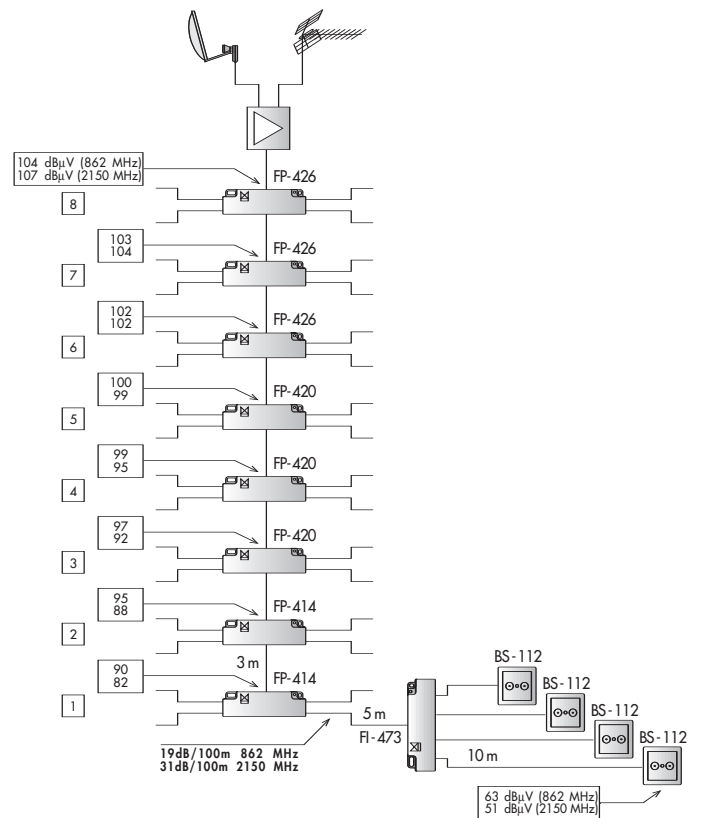
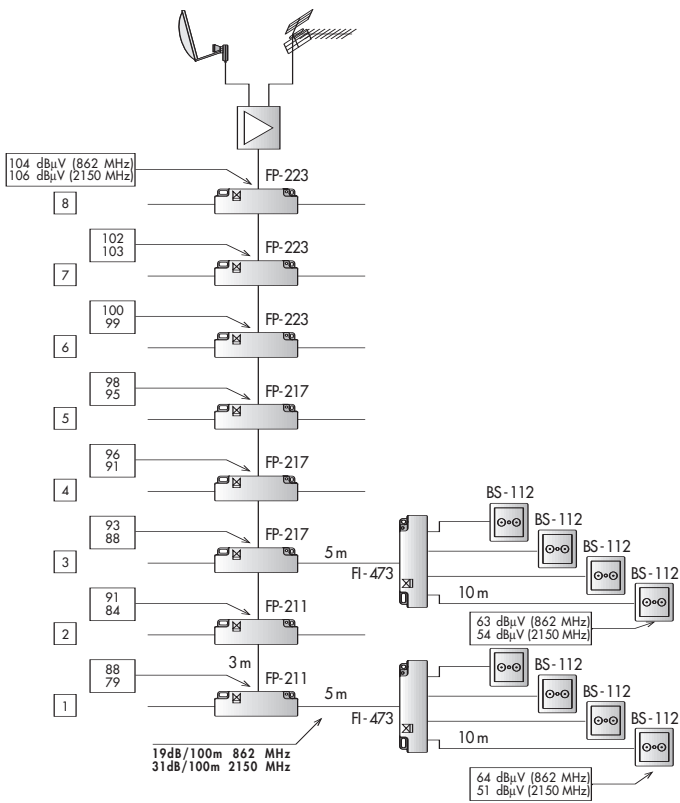


906 INSTALLATION EXAMPLES

SMATV installations with flat IF tap-offs



Tap-offs with different attenuations are used to compensate the levels at the different outlets. In buildings with fewer floors, the indicated tap-offs are used on the lower floors, and the necessary head-end level will be that which is indicated on the input of the tap-off. Compared with the equalised IF tap-offs, these installations require a lower terrestrial TV level but a higher satellite TV level. The levels are indicated on the weakest outlets.