



AMPLIFICADORES MULTIBANDA
MULTIBAND AMPLIFIERS
AMPLIFICATEURS MULTIBANDE



SERIE 904 SERIES

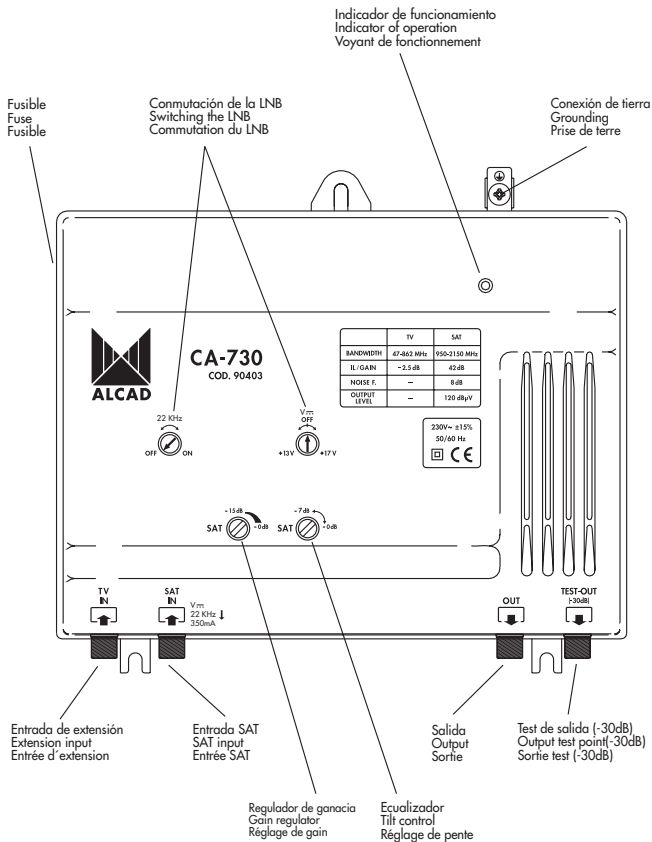
CODIGO-CODE-CODE		9040003
MODELO-MODEL-MODELE		CA-730
Rango de frecuencia Frequency range Gamme de frequences	Band	SAT
	MHz	950-2150
Ganancia Gain Gain	dB	42 ± 2,0
Regulación de ganancia Gain adjust Réglage de gain	dB	15
Ecuálización fija Fixed equalization Pente fixe	dB	10
Margen de ecualización Adjustable equalization range Plage de réglage de pente	dB	7
Test de salida Output test point Sortie test	dB	30 ± 1,5
Nivel de salida Output level Niveau de sortie	dB	120 (IMD ₃ -35 dB) 110 (IMD ₂ -35 dB)
Figura de ruido Noise figure Facteur de bruit	dB	< 8
Alimentación de la LNB Power supply of the LNB Alimentation de la LNB	V _{cc} mA Tone	+13 / OFF / +17 350 _{max} 0 / 22 KHz
Atenuación entrada extensión Extension input loss Attenuation a l'entrée d'extension	dB	2,5 ± 0,5

IMD₃ -35 dB: 2 equal carriers, EN 50083-3

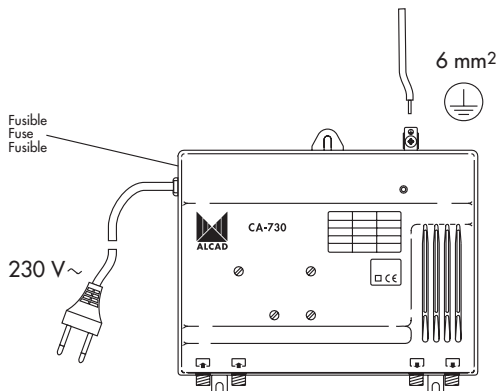
IMD₂ -35 dB: 2 equal carriers, EN 50083-3

CÓDIGO-CODE-CODE		9040003
MODELO-MODEL-MODELE		CA-730
Fusible	V~	250
Fuse		
Fusible	A	1,6 (Type F)
Tensión de red	V~	230 ±15% 50/60 Hz
Mains voltage		
Tension du secteur	VA	10
Temperatura de funcionamiento		
Operating temperature	°C	-10 ... +65
Température de fonctionnement		
Índice de protección		
Protection index		IP 50D
Indice de protection		

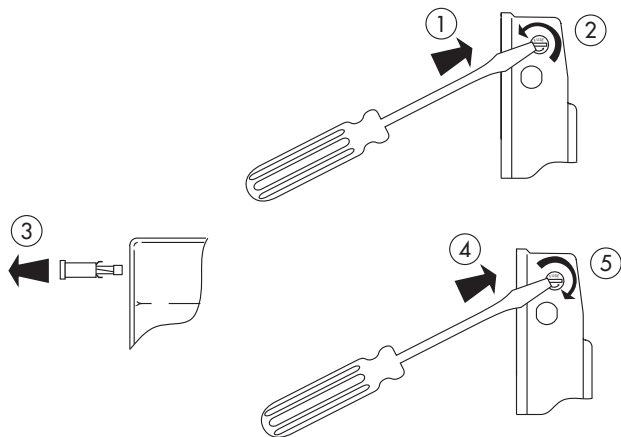
AMPLIFICADOR CA-730
 AMPLIFIER CA-730
 AMPLIFICATEUR CA-730



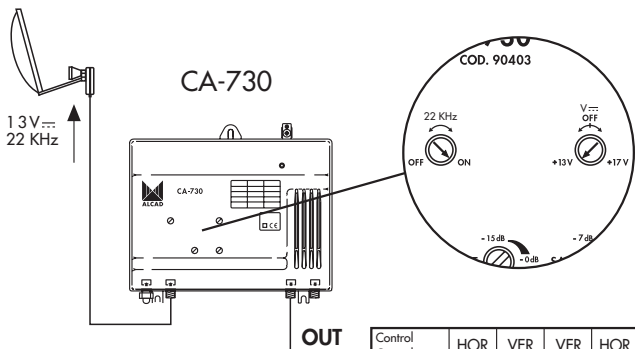
CÓMO ALIMENTAR EL AMPLIFICADOR
HOW TO FEED THE AMPLIFIER
COMMENT ALIMENTER L'AMPLIFICATEUR



SUSTITUCIÓN DEL FUSIBLE
FUSE REPLACEMENT
REPLACEMENT DU FUSIBLE

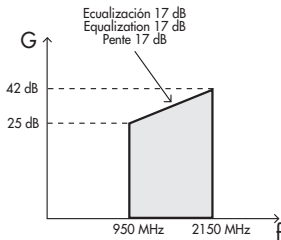


CÓMO ALIMENTAR LA LNB
 HOW TO FEED THE LNB
 COMMENT ALIMENTER LA LNB

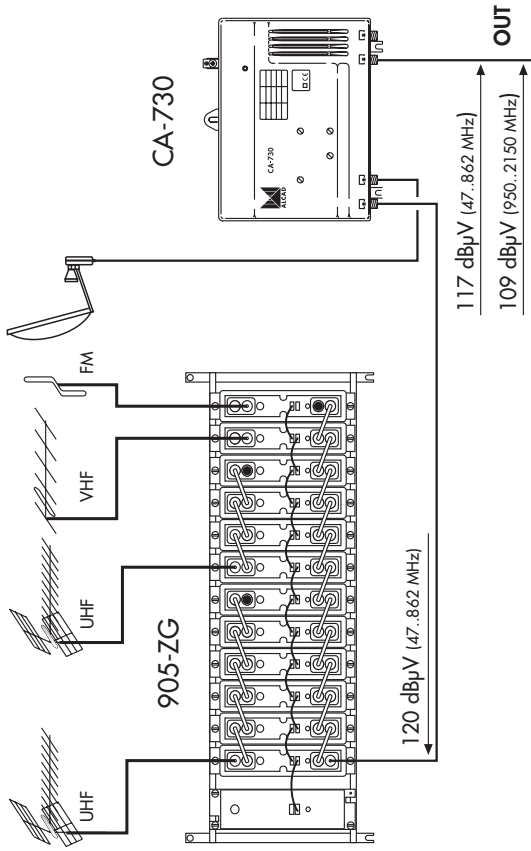


Control Contrôle	HOR LOW	VER LOW	VER HIGH	HOR HIGH
V	17	13	13	17
22 KHz	OFF	OFF	ON	ON

GANANCIA
 GAIN
 GAIN



ESQUEMAS TÍPICOS
CONNECTION DIAGRAMS
SCHEMAS DE CONNEXION





DECLARATION OF CONFORMITY

according to EN ISO/IEC 17050-1:2004

Manufacturer's Name: ALCAD, S.A.
Manufacturer's Address: Pol. Ind. Arreche-Ugalde, 1
Apdo. 455
20305 IRUN (Guipúzcoa)
SPAIN

declares that the product

Product Name: 904 Series: AMPLIFIERS
Model Number(s): CA-730

Product Option(s): INCLUDING ALL OPTIONS

is in conformity with:

Safety: EN 50083-1:1993

EMC: EN 50083-2:2001

EN 61000-6-1:2001

EN 61000-4-2:1995 ESD 15KV AD, 8KV CD.

EN 61000-4-4:1995 EFT 4KV-2,5KHz Sig. Lines, 4KV-2,5KHz Power Lines.

EN 61000-4-5:1995 CWG 1KV Power Lines.

EN 61000-4-11:1994 Dips and Variation.

Technical Features : EN50083-3:2002
EN50083-5:2001

Supplementary Information:

The product herewith complies with the requirements of the Low Voltage Directive 73/23/ECC and the EMC Directive 89/336/EEC and their relevant amendments, gathered under the directive 93/68/EEC.

Note: to comply with these directives, do not use the products without covers and operate the system as specified.



Irún,

06-09-06

Date

Anton Galarza / General Manager

Especificaciones sujetas a modificación sin previo aviso
Specifications subject to modifications without prior notice
Les spécifications sont soumises à de possible modifications sans avis préalable



ALCAD, S.A.
Tel. 943 63 96 60
Fax 943 63 92 66
Int. Tel. +34 - 943 63 96 60
info@alcad.net
Apdo. 455 - Pol. Ind. Arreche-Ugalde, 1
20305 IRUN - Spain

www.alcad.net

FRANCE - Hendaye
Tel. 00 34 - 943 63 96 60

GERMANY - Munich
Tel. 089 55 26 480

CZECH REPUBLIC - Ostroavice
Tel. 546 427 059

UNITED ARAB EMIRATES - Dubai
Tel. 971 4 887 19 50

POLAND - Cieszyn
Tel. 48 33 851 06 35



ISO 9001

